

**PRODUCT CODE: MB11B**  
MALLEABLE CONDUIT BOX



**DESCRIPTION**

25mm Malleable Tee Conduit Box

**FINISH**

Black Enamel

**MATERIAL**

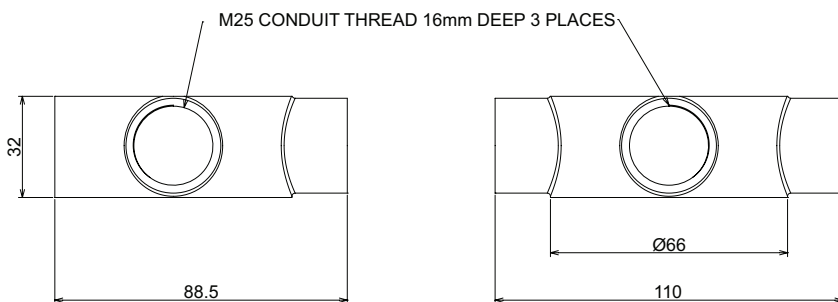
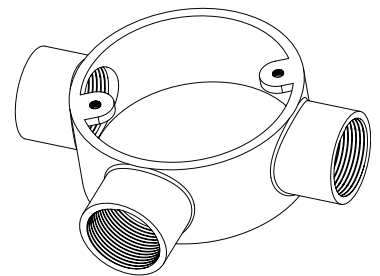
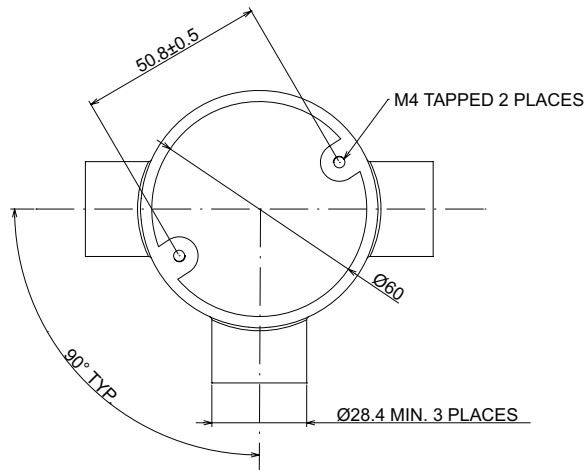
Malleable Iron

**PACKAGING**

Packed in qty 10

**ADDITIONAL NOTES**

Conforms to BS EN61386-1:2008  
Compliant to LU Standard 1-085 (for use on surface & sub-surface locations)



Values are nominal and with a general tolerance  $\pm 5\%$  unless otherwise specified